

Ref. : BS 1169FLL.pas

Rev. : Initial

Date : 02/09/2013

Page : 1/1

FULL BORE BALL VALVE

BS 1169FLL



Tecofi
VALVE DESIGNER - FRANCE

APPLICATION

Watering, water distribution, heating, drinkable water, air-conditioning.

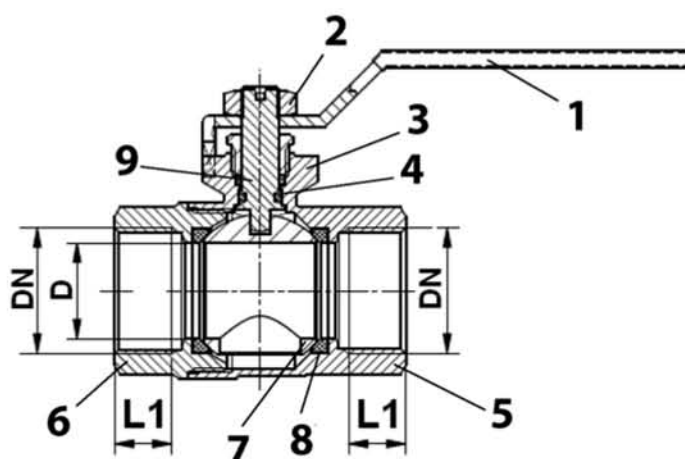
GENERAL CHARACTERISTICS

- From DN 1/4" to DN 2"
- Fabrication according to NF079
- Full bore
- Anti blow-out stem
- Solid ball
- Drilled ball (to avoid water stagnation between ball and body) up to DN 1"1/2
- PTFE G200 packing + O ring EPDM 4270 on stem
- Operating by handle.



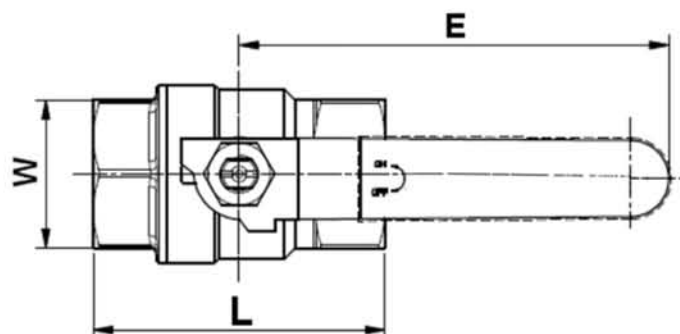
CONSTRUCTION

9	Stem	Brass	CW 614 N According to EN 12164
8	Seat	PTFE	G200
7	Ball	Chromed brass	CW 617 N According to EN 12165
6	Body (internal)	Brass	CW 617 N According to EN 12165
5	Body (external)	Nickel brass	CW 617 N According to EN 12165
4	Packing	PTFE	G200
3	Packing nut	Brass	CW 614 N According to EN 12164
2	Handle nut	Galvanized steel Geomet 321 coated	
1	Handle	Galvanized steel Geomet 321 coated	
Pos.	Description	Material	



DIMENSIONS

DN		L	L1	E	W	D	Weight (kg)
mm	inch						
8	1/4"	42.5	8	80	20	10	0.128
12	3/8"	42.5	8.5	80	20	10	0.114
15	1/2"	50.5	10.5	90	25	15	0.195
20	3/4"	61	12	90	31	20	0.288
25	1"	71	13.5	115	38	25	0.481
32	1" 1/4	83.5	15.5	130	47	32	0.730
40	1" 1/2	93	15.5	130	54	40	0.990
50	2"	112	19	150	66	50	1.805



WORKING CONDITIONS

Maximum working temperature : - 5°C / + 90°C
Peak temperature : +110°C (maximum 1 hour)

Maximum working pressure : 40 bar from DN1/2 to DN 3/4
25 bar from DN 1" to DN 1"1/4
16 bar from DN 1/2" to DN2".

STANDARDS

Threaded male and female BSP cylindrical ends according to ISO 228-1.

French water agreement ACS n° 13 ACC LY 136