

Ref. : BS 1166.pas

Rev. : Initial

Date : 03/11/2008

Page : 1/1

# 3 WAYS "L" BALL VALVE BS 1166



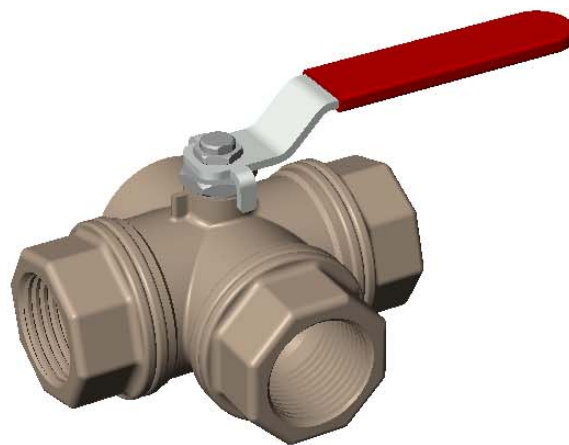
**Tecofi**  
VALVE DESIGNER - FRANCE

## APPLICATION

General use : for all kind of fluids.

## GENERAL CHARACTERISCS

From DN 1/4" to DN 2".  
Reduce bore.  
3 ways "L".  
Sealing of the axis by packing flanged.  
Flat handle.

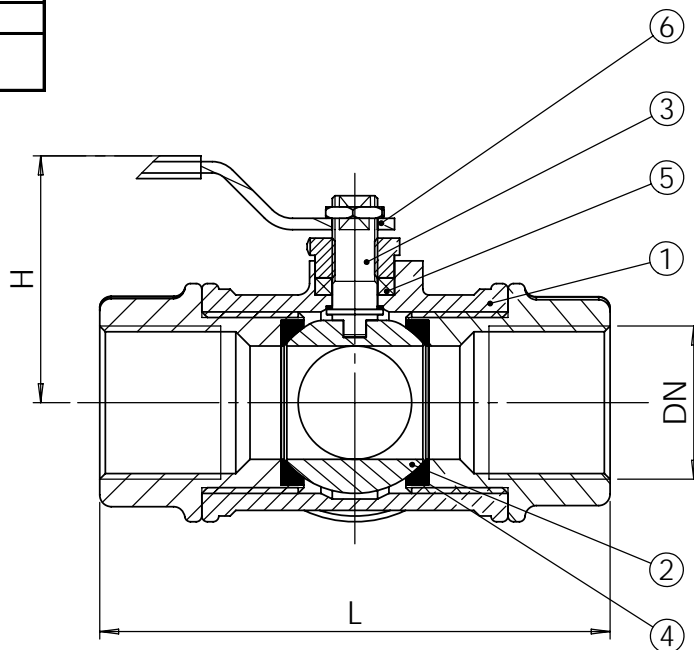


## CONSTRUCTION

6	1	Handle	Steel	
5	1	Packing gasket	PTFE	
4	2	Seat	PTFE	
3	1	Stem	Brass	DIN: CuZn36Pb3 ASTM: B16 C36000 BS: 12164 CZ124
2	1	Ball	Brass	
1	1	Body	Brass	
Rep.	Nb.	Désignation	Matière	

## DIMENSIONS

DN		L	H	P	A	Weight (kg)
mm	inch					
8	1/4"	81	64	125,5	64,5	0,69
12	3/8"	81	64	125,5	64,5	0,65
15	1/2"	82	64	125,5	65	0,66
20	3/4"	90,5	67	125,5	74	0,86
25	1"	105	72	161	86	1,41
32	1 1/4"	116	78,5	161	94	1,89
40	1 1/2"	140	92	220	116,5	3,61
50	2"	164	98	220	135	5,24

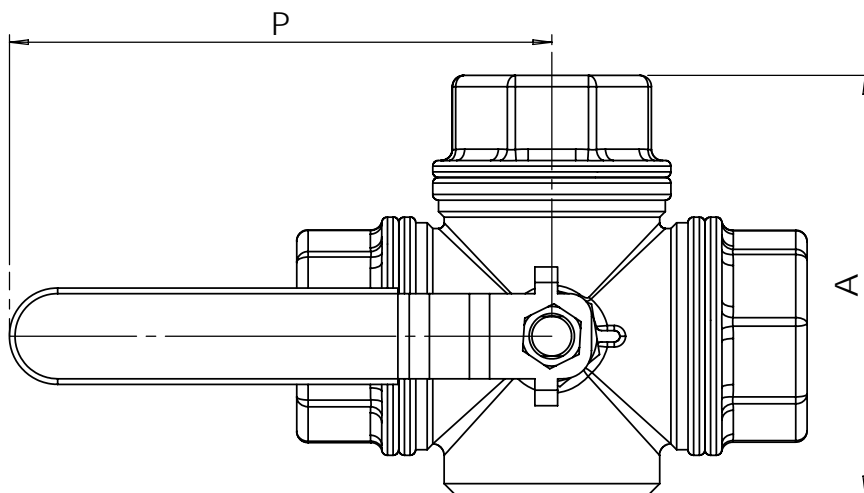


## WORKING CONDITIONS

Maximum working pressure : 16 bar.  
Maximum differential pressure : 5 bar  
Maximum temperature : + 90°C.

## AGREMENT AND TESTING

BSP threaded according to standard ISO 228-1.



**TECOFI France** - 83, Rue Marcel Mérieux 69960 Corbas - FRANCE  
Tél. +33 (0) 4 72 79 05 79 - Fax +33 (0) 4 78 90 19 19 / +33 (0) 4 72 79 05 70  
Adresses e-mail : sales@tecofi.fr ; tecofi@tecofi.fr / Site web : [www.tecofi.fr](http://www.tecofi.fr)