

Ref. : BS1165MML.pas

Rev. :Initial

Date : 09/09/2013

Page : 1/1

# FULL BORE BALL VALVE HEAVY MODEL

## BS 1165MML



**Tecofi**  
VALVE DESIGNER - FRANCE

### APPLICATION

General use : For all common fluids.

### GENERAL CHARACTERISTICS

From DN3/8" to DN1"  
 Heavy model  
 Long threaded ends  
 Full bore  
 Anti blow out stem  
 Solid ball  
 Packing PTFE + EPDM O ring  
 Red galvanized steel handle with plastic handle cover.

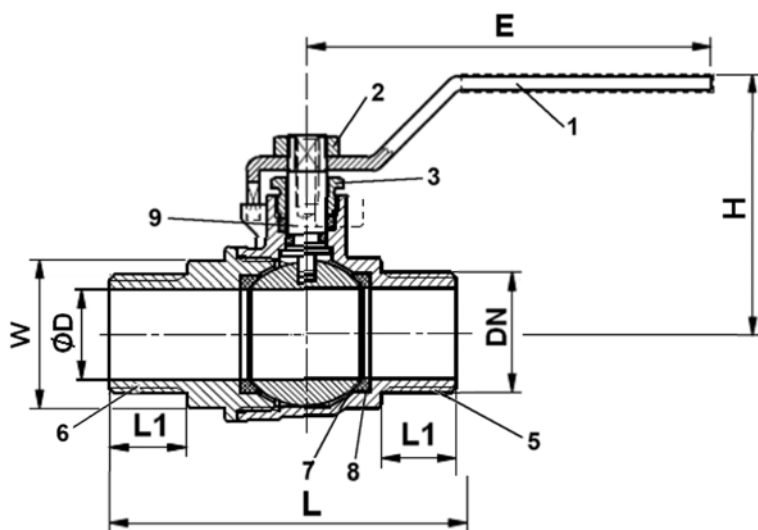


### CONSTRUCTION

9	Stem	Brass	CW 614 N according to EN 12164
8	Seat	PTFE	
7	Ball	Brass	CW 617 N according to EN 12165 chromed
6	Internal body	Brass	CW 617 N according to EN 12165 nickeled
5	External body	Brass	CW 617 N according to EN 12165 nickeled
4	Packing	PTFE	
3	Packing nut	Brass	CW 614 N according to EN 12164
2	Handle nut	Steel	
1	Handle	Galvanized steel	
<b>Pos.</b>	<b>Description</b>	<b>Material</b>	

### DIMENSIONS

DN		L	L1	E	W	D	Weight kg
mm	inch						
10	3/8"	46,5	10	80	21	10	0,125
15	1/2"	62	15	90	26	15	0,26
20	3/4"	71	16,3	90	31	20	0,34
25	1"	81,5	19,1	125	38	25	0,609



### WORKING CONDITIONS

Maximum working temperature : - 10 °C / +120°C

Maximum working pressure: 40 bar

### STANDARDS

Fabrication according to ISO 9001 : 2008  
 Threaded male and male BSP cylindrical ends according to UNI ISO 228/1