

Ref. : BS1165MFL.pas

Rev. :Initial

Date : 09/09/2013

Page : 1/1

FULL BORE BALL VALVE HEAVY MODEL

BS 1165MFL



Tecofi
VALVE DESIGNER - FRANCE

APPLICATION

General use : For all common fluids.

GENERAL CHARACTERISTICS

From DN1/4" to DN2"
Heavy model
Long threaded ends
Full bore
Anti blow out stem
Solid ball
Packing PTFE + EPDM O ring
Red butterfly aluminium handle with plastic handle cover.

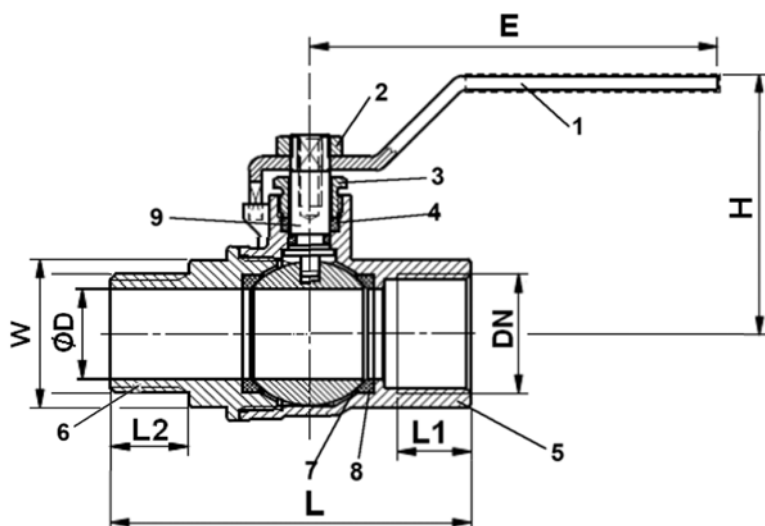


CONSTRUCTION

9	Stem	Brass	CW 614 N according to EN 12164
8	Seat	PTFE	
7	Ball	Brass	CW 617 N according to EN 12165 chromed
6	Internal body	Brass	CW 617 N according to EN 12165 nickeled
5	External body	Brass	CW 617 N according to EN 12165 nickeled
4	Packing	PTFE	
3	Packing nut	Brass	CW 614 N according to EN 12164
2	Handle nut	Steel	
1	Handle	Galvanized steel	
Pos.	Description	Material	

DIMENSIONS

DN		L	L1	L2	E	W	D	Weight kg
mm	inch							
8	1/4"	52,5	10	11,5	80	21	10	0,14
10	3/8"	52,5	10	11,5	80	21	10	0,14
15	1/2"	67,5	15	15	90	26	15	0,27
20	3/4"	77,5	16,3	16,5	90	31	20	0,36
25	1"	87,5	19,1	19,5	125	38	25	0,62
32	1"1/4"	101,5	21,4	21,5	125	48	32	0,94
40	1"1/2"	110,5	21,4	21,5	150	55	40	1,37
50	2"	134	26	26,5	150	68	49	2,02



WORKING CONDITIONS

Maximum working temperature : - 10 °C / +120°C

Maximum working pressure: 40 bar du DN1/4" au DN1"
32 bar - DN1"1/4
30 bar - DN1"1/2
25 bar - DN2"

STANDARDS

Fabrication according to ISO 9001 : 2008
Threaded male and female BSP cylindrical ends according to UNI ISO 228/1