

Ref. : BS 1165FFL pas

Rev. : initial

Date : 06/09/2013

Page : 1/1

FULL BORE BALL VALVE

BS 1165FFL



Tecofi 
VALVE DESIGNER - FRANCE

APPLICATION

General use : for all common fluids.

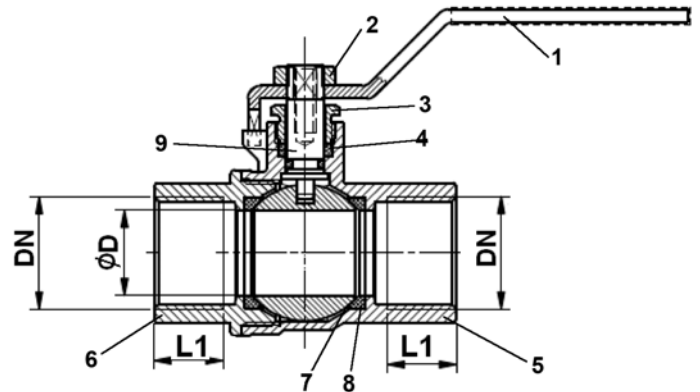
GENERAL CHARACTERISTICS

From DN 1/8" to DN 4".
Heavy model.
Long threaded ends.
Full bore.
Anti blow out stem.
Solid ball.
Packing PTFE + EPDM O ring.
Operating by red flat steel handle.



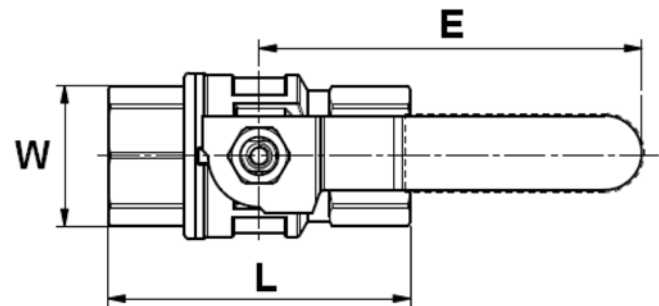
CONSTRUCTION

9		Stem	Brass	CW 614 N according to EN 12164
8		Seat	PTFE	
7		Ball	Brass	CW 617 N according to EN 12165 nickeled
6		Internal body	Brass	CW 617 N according to EN 12165 nickeled
5	1	External body	Brass	CW 617 N according to EN 12165 nickeled
4	2	Packing	PTFE	
3	1	Packing nut	Brass	CW 614 N according to EN 12164
2	1	Handle nut	Steel	
1	1	handle	Galvanized steel	
Pos.	Q-ty	Description	Material	



DIMENSIONS

DN		L	L1	E	W	D	Weight (kg)
mm	inch						
6	1/8"	37.7	10	60	20	9	0.11
8	1/4"	46.5	10	80	21	10	0.141
12	3/8"	46.5	10	80	21	10	0.125
15	1/2"	62	15	90	26	15	0.26
20	3/4"	71	16.3	90	31	20	0.34
25	1"	81.5	19.1	125	8	25	0.609
32	1" 1/4	92	21.4	15	48	32	0.878
40	1" 1/2	102	21.4	150	55	40	1.337
50	2"	126	26	150	68	49	1.99
65	2" 1/2	138	26	203	85	60	3.09
80	3"	161.5	27	280	98	74	4.81
100	4"	181	28	280	123	94	7.96



WORKING CONDITIONS

Working temperature : -10°C / 120°C

Maximum working pressure: 40 bar - DN1/8" - DN1"
32 bar - DN1"1/4
30 bar - DN1"1/2
25 bar - DN2"
16 bar - DN2"1/2 - DN4"

STANDARDS

Fabrication according to ISO 9001: 2008.
Threaded female/ female BSP cylindrical ends according to UNI ISO 228-1.

TECOFI France - 83, Rue Marcel Mérieux 69960 Corbas - FRANCE
Tél. +33 (0) 4 72 79 05 79 - Fax +33 (0) 4 78 90 19 19 / +33 (0) 4 72 79 05 70
Adresses e-mail : sales@tecofi.fr ; tecofi@tecofi.fr / Site web : www.tecofi.fr