

THREADED BALL VALVE

TECHNICAL PASSPORT

THREADED BALL VALVE FULL BORE

BS 1152D

APPLICATION

Area of use: water and air distribution.



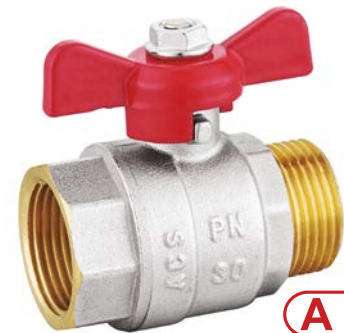
Fluid: drinking water, water, air.

GENERAL CHARACTERISTICS

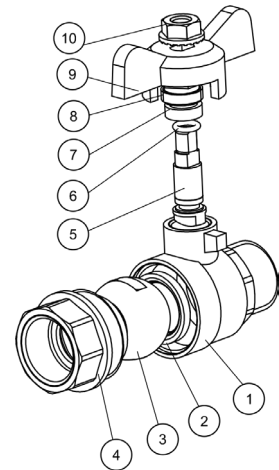
- Range : DN 1/4" to DN 1".
- Full bore, anti blow-out stem.
- Gland packing for stem tightness
- PTFE packing
- BSP male/female connection according to ISO 228-1.

CONSTRUCTION

Pos.	Description	Material
1	Body	Nickel plated brass CW617N
2	Seat	PTFE
3	Ball	Chromed Brass
4	Bonnet	Nickel plated brass CW617N
5	Stem	Brass
6	O-ring	NBR
7	Stem packing	PTFE
8	Gland nut	Brass
9	Handle	Cast aluminium alloy
10	Nut	Brass

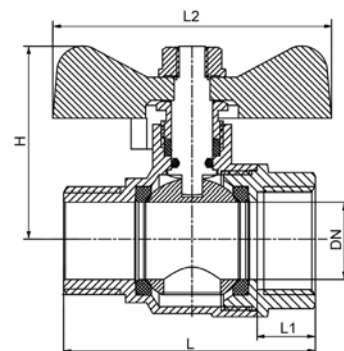


ACS



DIMENSIONS

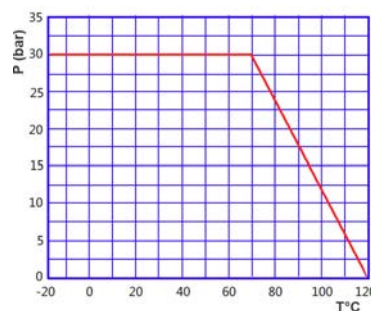
DN		L	L1	H	L2	Weight (kg)
inch	mm					
1/4"	8	43.3	10	33.4	54	0.10
3/8"	10	43.3	10	33.4	54	0.10
1/2"	15	48.8	11.3	37.7	54	0.14
3/4"	20	56	12	41.8	54	0.22
1"	25	67	14.3	51.4	70	0.40



WORKING CONDITIONS

Maximum working pressure : 30 bar
(6 bar maximum for air)

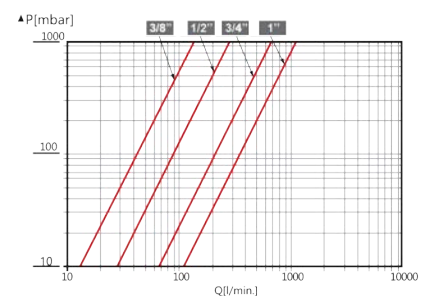
Maximum working temperature: -20°C /+120°C.



PRODUCT APPROVALS



Head losses



Tecofi France

83 rue Marcel Mérieux - 69960 Corbas

Tél. +33 (0)4 72 79 05 79 - Fax. +33 (0)4 78 90 19 19

E-mail : sales@tecofi.fr - www.tecofi.fr

ISO 9001
ISO 14001
BUREAU VERITAS
Certification



Page 1/1