

## THREADED BALL VALVE

### TECHNICAL PASSPORT

#### THREADED BALL VALVE FULL BORE

BS 1152C

#### APPLICATION

Area of use: water and air distribution.



Fluid: drinking water, water, air

#### GENERAL CHARACTERISTICS

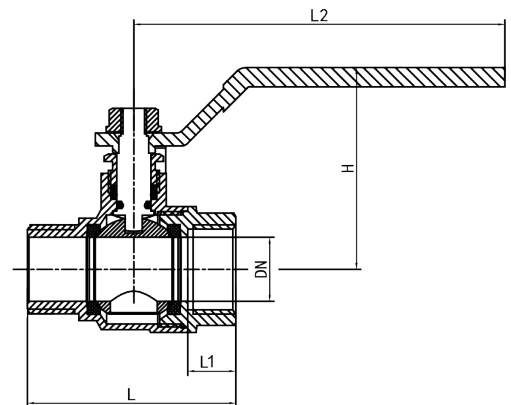
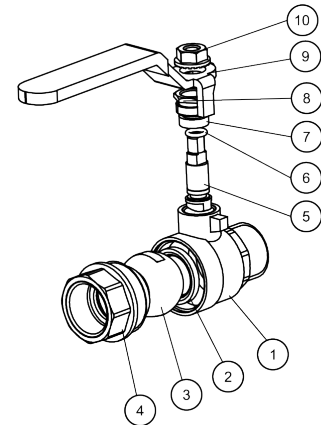
- Range : DN 1/4" to DN 2".
- Full bore, anti blow-out stem.
- Gland packing for stem tightness
- PTFE packing
- BSP male/female connection according to ISO 228-1.

#### CONSTRUCTION

Pos.	Description	Material
1	Body	Nickel plated brass CW617N
2	Seat	PTFE
3	Ball	Chromed Brass
4	Bonnet	Nickel plated brass CW617N
5	Stem	Brass
6	O-ring	NBR
7	Stem packing	PTFE
8	Gland nut	Brass
9	Handle	Steel
10	Lock nut	Brass



ACS



#### DIMENSIONS

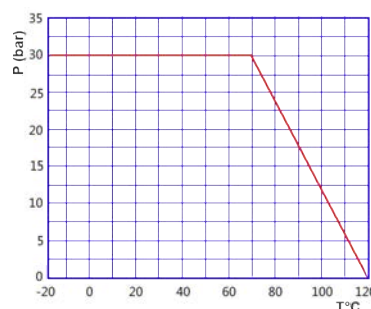
DN		L	L1	H	L2	Weight (kg)
inch	mm					
1/4"	8	43.3	10	42.9	87	0.13
3/8"	10	43.3	10	42.9	87	0.12
1/2"	15	48.8	11.3	47.2	87	0.17
3/4"	20	56	12	51.3	87	0.25
1"	25	67	14.3	61.9	114	0.45
1 1/4"	32	80	16.5	69.7	114	0.60
1 1/2"	40	91	17.5	79	140	0.86
2"	50	107	18.5	90.2	140	1.43

#### WORKING CONDITIONS

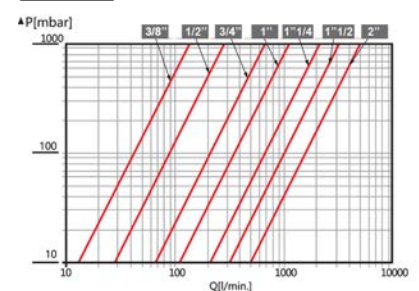
Maximum working pressure : 30 bar  
(6 bar maximum for air)

Maximum working temperature: -20°C /+120°C.

#### PRODUCT APPROVALS



Head losses



Tecofi France

83 rue Marcel Mérieux - 69960 Corbas

Tél. +33 (0)4 72 79 05 79 - Fax. +33 (0)4 78 90 19 19

E-mail : sales@tecofi.fr - [www.tecofi.fr](http://www.tecofi.fr)

ISO 9001  
ISO 14001  
BUREAU VERITAS  
Certification



Page 1/1