

THREADED BALL VALVE

TECHNICAL PASSPORT

THREADED BALL VALVE FULL BORE

BS 1152B

APPLICATION

Area of use: water and air distribution.



Fluid: drinking water, water, air

GENERAL CHARACTERISTICS

- Range : DN 1/4" to DN 1".
- Full bore, anti blow-out stem.
- Gland packing for stem tightness
- PTFE packing
- BSP connection according to ISO 228-1.

CONSTRUCTION

Pos.	Description	Material
1	Body	Nickel plated brass CW617N
2	Seat	PTFE
3	Ball	Chromed Brass
4	Bonnet	Nickel plated brass CW617N
5	Stem	Brass
6	O-ring	NBR
7	Stem packing	PTFE
8	Gland nut	Brass
9	Handle	Cast aluminium alloy
10	Nut	Brass

DIMENSIONS

DN		L	L1	H	L2	Weight (kg)
inch	mm					
1/4"	8	40.6	10	33.4	54	0.11
3/8"	10	40.6	10	33.4	54	0.10
1/2"	15	47.8	11.3	37.7	54	0.15
3/4"	20	55	12	41.8	54	0.23
1"	25	66	14.3	51.4	70	0.41

WORKING CONDITIONS

Maximum working pressure : 30 bar
(6 bar maximum for air)

Maximum working temperature: -20°C /+120°C.

PRODUCT APPROVALS



Tecofi France

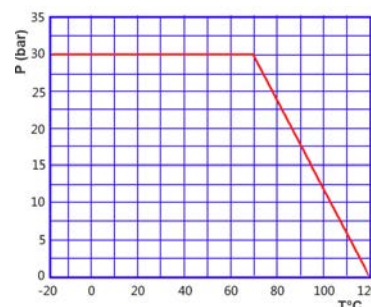
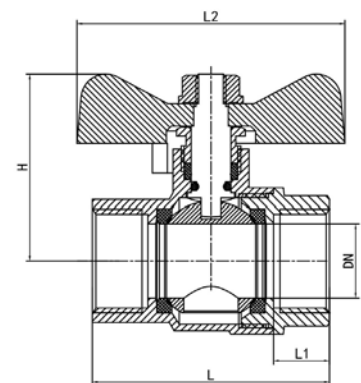
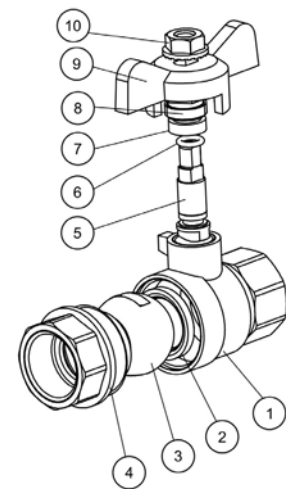
83 rue Marcel Mérieux - 69960 Corbas

Tél. +33 (0)4 72 79 05 79 - Fax. +33 (0)4 78 90 19 19

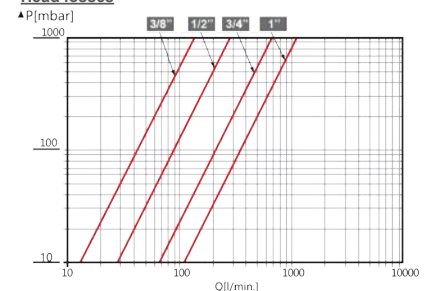
E-mail : sales@tecofi.fr - www.tecofi.fr



ACS



Head losses



ISO 9001
ISO 14001
BUREAU VERITAS
Certification

