

Ref. : BS 1143 pas

Rev. : G

Date : 09/12/2020

Page : 1/1

BALL VALVE FULL BORE

BS 1143



APPLICATION

General uses : watering, irrigation, heating, drinking water, etc.

GENERAL CHARACTERISTICS

Design according to EN13828
 Range from DN8 to DN50
 Full bore, nickered brass body
 Anti-blow out stem
 With gland pack

CONSTRUCTION

7	1	Handle	Carbon steel
6	1	Packing	PTFE
5	1	Stem	Brass
4	1	Ball	Brass
3	2	Seat	PTFE
2	1	End	Brass CW617N
1	1	Body	Brass CW617N
Pos.	Qty.	Description	Material

DIMENSIONS

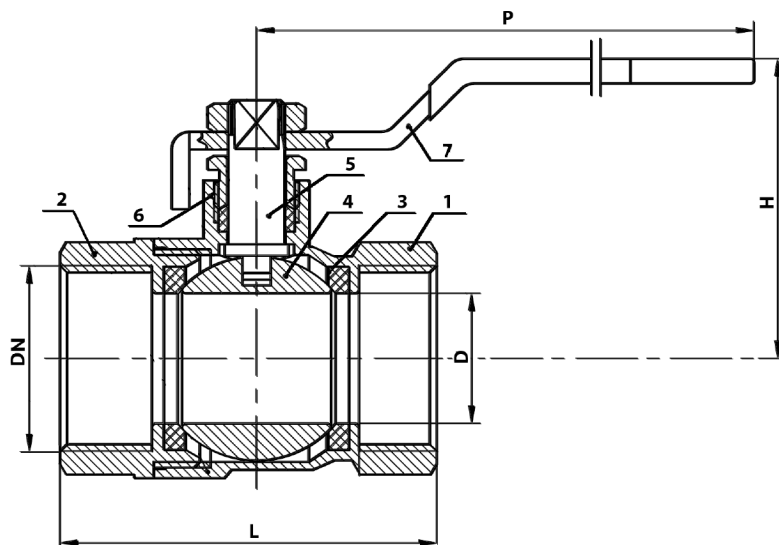
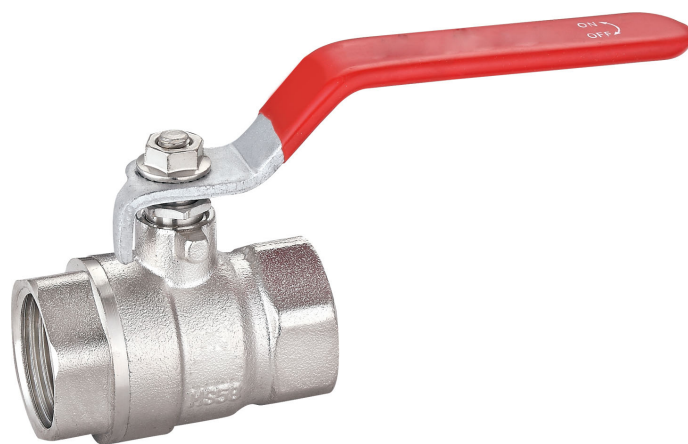
DN		H	L	P	D	Weight (kg)
mm	inch					
8	1/4"	43	40	97	8	0.12
10	3/8"	47	43.8	95	10	0.14
15	1/2"	54	47	95	14	0.17
20	3/4"	54	53.3	95	18.5	0.23
25	1"	58	65	113	23	0.37
32	1"1/4	66	73.1	134	29	0.60
40	1"1/2	71	80.9	134	37	0.75
50	2"	89	98	163	47	1.30

WORKING CONDITIONS

Maximum temperature : - 20°C / + 120°C.
 Maximum working pressure : 25 bar

STANDARDS

BSP threaded according to standard ISO 228-1.
 Certificat of health conformity n° 19 ACC NY 387



The photographs and technical art works are not contractual. The specifications of the presented products are open to modifications without previous advice.