

Ref. : BS 1143R pas

Rev. : Initial

Date : 24/12/2014

Page : 1/1

# BALL VALVE WITH HANDLE AND FIXED STEM EXTENSION

## BS 1143R



### APPLICATION

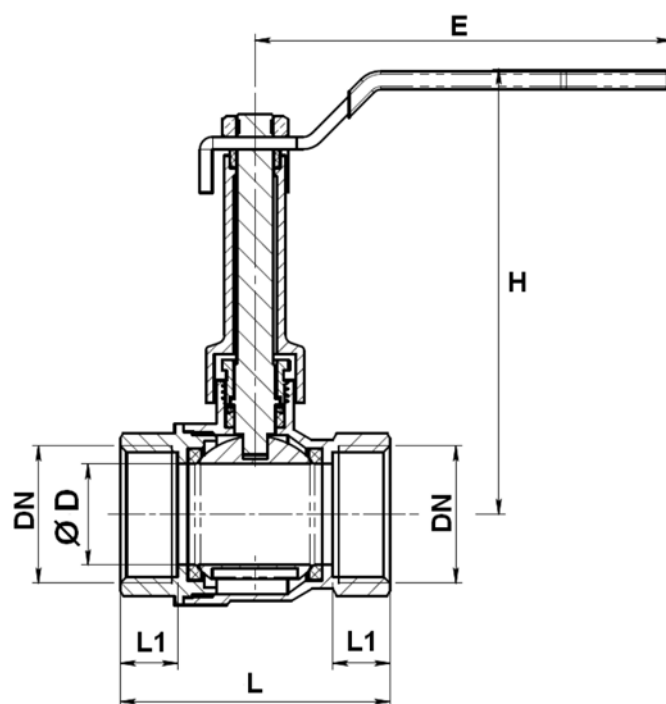
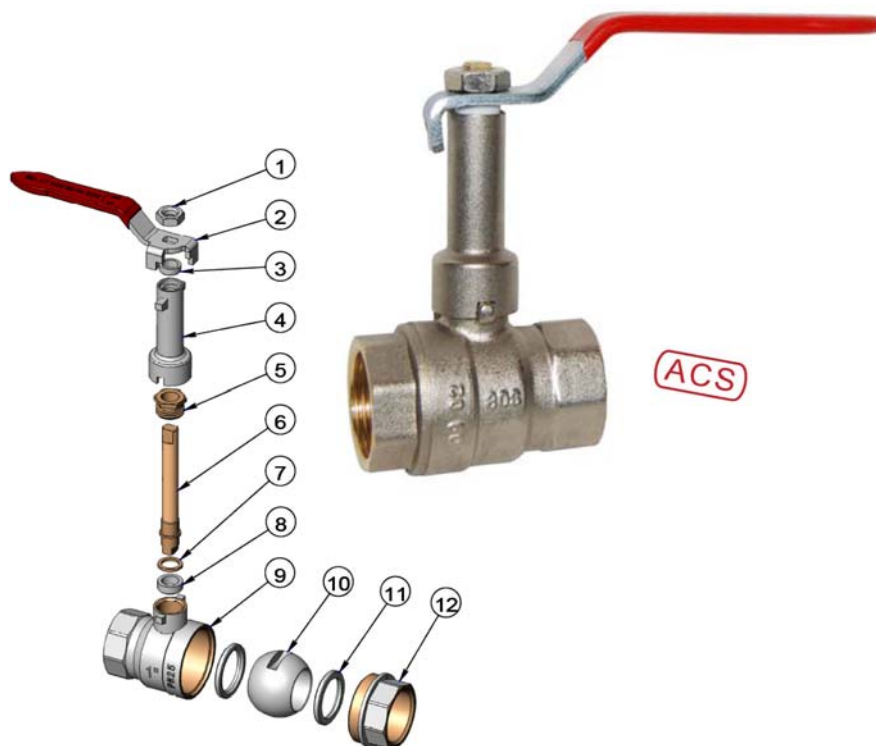
General use: water distribution.

### GENERAL CHARACTERISTICS

Full bore.  
Fixed stem extension.  
Solid ball.  
PTFE packing.  
Flat steel handle.  
Reversible handle.

### CONSTRUCTION

12	Bonnet (internal)	Brass CW 617 N according to EN 12165
12	Bonnet (external)	Nickeled brass CW 617 N according to EN 12165
11	Seat	PTFE
10	Ball	Chromed brass
9	Body (internam)	Brass CW 617 N according to EN 12165
9	Body (external)	Nickeled brass CW 617 N according to EN 12165
8	Packing	PTFE
7	Ring	Brass
6	Stem	Brass
5	Packing nut	Brass
4	Stem extension	Nickeled brass
3	Ring	PTFE
2	Handle	Steel Q235 with plastic cover
1	Handle nut	Steel Q235
pos.	Description	Material



### DIMENSIONS

DN		ØD	L	L1	L4	E	H	C	ØY	Weight (kg)
mm	inch									
10	3/8"	10	44	12	-	81,5	83,7	4,8	6	0,175
15	1/2"	14,5	49	12	52	81,5	84,4	4,8	8	0,233
20	3/4"	19	56	13	52	104	88,4	4,8	8	0,307
25	1"	24,5	66	14	-	102	107,5	5,8	9	0,468
32	1 1/4"	31	76	15	-	120	127,8	7,8	11,5	0,729
40	1 1/2"	39,5	87	16	-	120	134	7,8	11,8	0,978
50	2"	49,5	103	18	-	142	146	7,8	13	1,527

### WORKING CONDITIONS

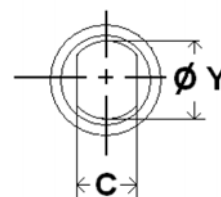
Maximum working temperature : -10°C / + 120°C

Maximum working pressure : 30 bar - (DN 3/8" - DN 1")  
20 bar - (DN 1 1/4" - DN 1 1/2")  
16 bar - DN 2"

### AGREMENT ET NORMES

Fabrication according to ISO 9001 : 2008  
DIRECTIVE 2014/68/UE : Products excluded from directive ( Article 1, § 3.2 )  
French water agreement **A.C.S. N° 14 ACC LY 469**  
Threaded male and female BSP cylindrical ends according to ISO 228-1

### Stem dimensions



**TECOFI France** - 83, Rue Marcel Mérieux 69960 Corbas - FRANCE  
Tél. +33 (0) 4 72 79 05 79 - Fax +33 (0) 4 78 90 19 19 / +33 (0) 4 72 79 05 70  
Adresses e-mail : sales@tecofi.fr ; tecofi@tecofi.fr / Site web : [www.tecofi.fr](http://www.tecofi.fr)