

Ref. : BS 1142.pas

Rev. : Initial

Date : 05/09/08

Page : 1/1

BALL VALVE WITH INSIDE CHECK VALVE

BS 1142



APPLICATION

General use : for all kind of fluids.

GENERAL CHARACTERISTICS

From DN 1/4" to DN 2".
 Reduce bore.
 Sealing of the axis by packing flanged.
 With inside check valve

CONSTRUCTION

7	1	Spring	Stainless steel 304	DIN: X5CrNi 18-10 ASTM: A182 AISI 304 BS: 1449-2 304 S15
6	1	Gasket of disc	Nitrile rubber	
5	1	Disc	Brass	
4	2	Seat	PTFE	
3	1	Stem	Brass	DIN: CuZn36Pb3 ASTM: B124 C37700 BS: 12164 CZ124
2	1	Ball	Chromed brass	
1	1	Body	Nickled brass	
Pos.	Qty.	Description	Material	



DN1/2" - DN1"



DN1"1/4 - DN2"

DIMENSIONS

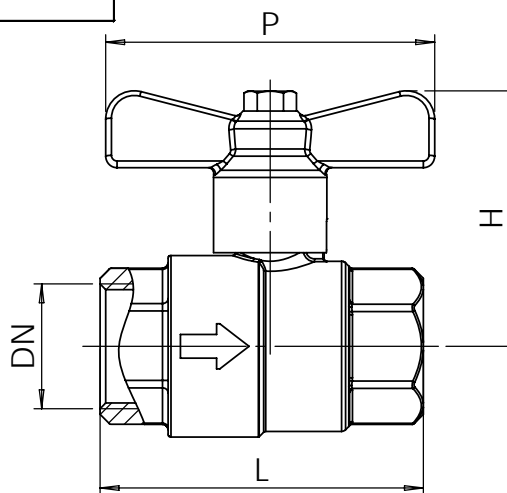
DN		L	H	P	Weight (kg)
mm	inch				
15	1/2"	51	50,5	58	0,26
20	3/4"	57	52,5	58	0,34
25	1"	70	61,5	70	0,58
32	1"1/4	83	65,5	111	0,92
40	1"1/2	89	80	149	1,48
50	2"	110	89	149	2,20

WORKING CONDITIONS

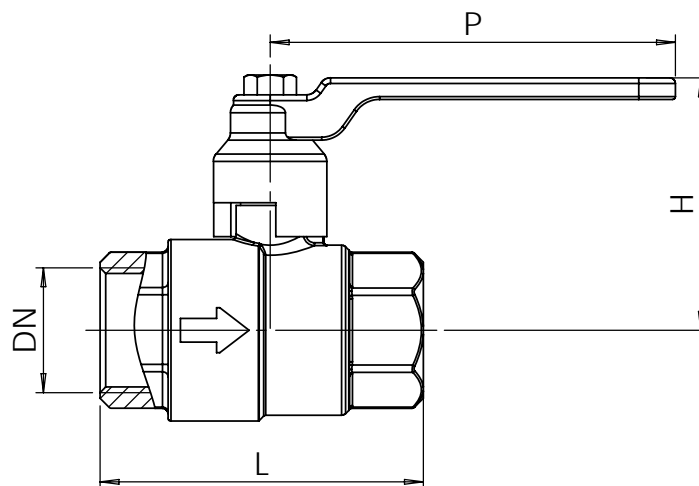
Maximum working pressure : 16 bar.
 Maximum temperature : +90°C.

AGREEMENT AND TESTING

BSP threaded according to standard ISO 228-1.



DN1/2" - DN1"



DN1"1/4 - DN2"

TECOFI France - 83, Rue Marcel Mérieux 69960 Corbas - FRANCE
 Tél. +33 (0) 4 72 79 05 79 - Fax +33 (0) 4 78 90 19 19 / +33 (0) 4 72 79 05 70
 Adresses e-mail : sales@tecofi.fr ; tecofi@tecofi.fr / Site web : www.tecofi.fr