

Ref. : BM 3101.pas

Rev. : Initial

Date : 24/11/08

Page : 1/1

MIXING VALVE "TERMOMIX" 3 WAY

BM 3101



Tecofi
VALVE DESIGNER - FRANCE

APPLICATION

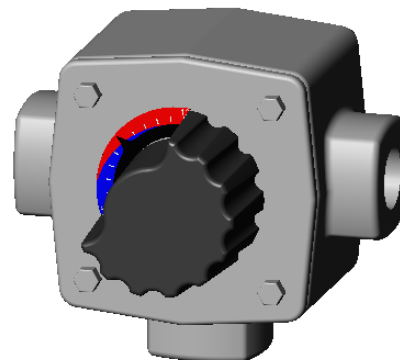
The mixing valve are used in heating installations for to mix hot water and cooled water.

GENERAL CHARACTERISTICS

Range : from DN 20 to DN 50.
Manual.
Rotation angle 90°.
3 ways.
PN10.

CONSTRUCTION

Pos.	Qty.	Description	Material
5	1	Flask	Aluminium
4	1	O-ring	EPDM
3	1	Stem	Brass
2	1	Plug	Brass
1	1	Body	Fonte



DIMENSIONS

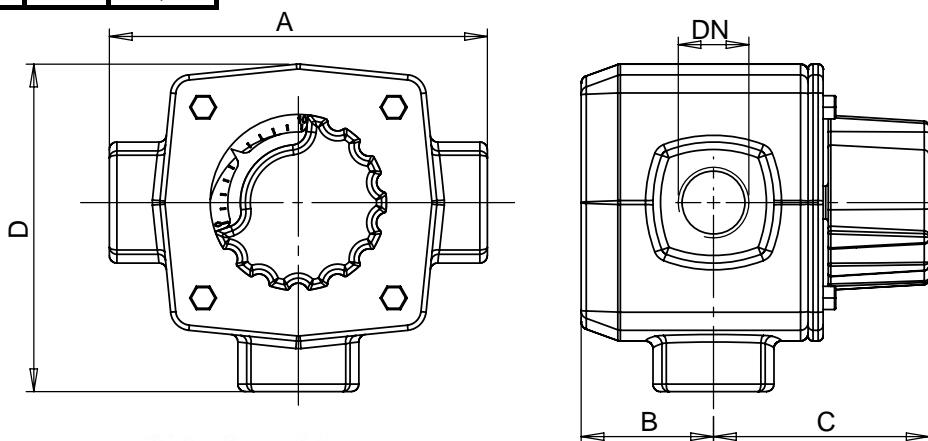
DN		A	B	C	D	Kvs	Weight (kg)
mm	inch						
20	3/4"	110	32	67	92	13	1,7
25	1"	112	32	67	94	17	1,8
32	1"1/4"	127	36	70	100	24	2,4
40	1"1/2"	127	40	73	101	31	2,7
50	2"	135	48	80	105	41	4,1

WORKING CONDITIONS

Maximum temperature : 110°C
Maximum pressure : 6 bar.

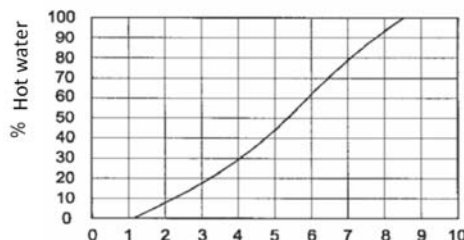
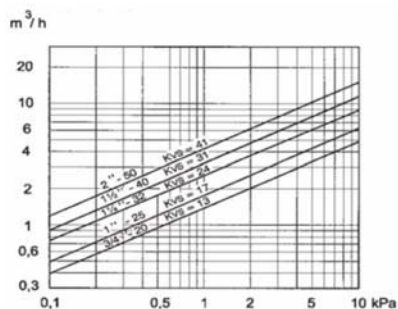
AGREMENT AND TESTING

Threaded fittings



Mixing characteristic

Head loss



Indications of the caloric power depending on the diameter

(Indicative data for boilers or fuel gas)

Power (kW)	16	23	35	53	95	120
Diameter	1/2"	3/4"	1"	1"1/4"	1"1/2"	2"

TECOFI France - 83, Rue Marcel Mérieux 69960 Corbas - FRANCE
Tél. +33 (0) 4 72 79 05 79 - Fax +33 (0) 4 78 90 19 19 / +33 (0) 4 72 79 05 70
Adresses e-mail : sales@tecofi.fr ; tecofi@tecofi.fr / Site web : www.tecofi.fr