

Ref. : AB 2140 pas

Rev. : A

Date : 25/08/2014

Page : 1/1

# NO-WATER HAMMER

## AB 2140



**Tecofi'**  
VALVE DESIGNER - FRANCE

### APPLICATION

General use : damping water hammer generated by stopping or abrupt start of pumps and valves circuits fluids.

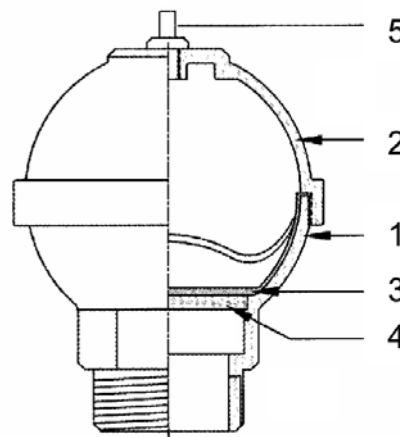
### GENERAL CHARACTERISTICS

From DN 1/2" to DN 2".  
Pneumatic type amortization.  
Pressure editable chamber.  
Mounting in all position.  
Normal chamber pressure: 2.5 bar



### CONSTRUCTION

5	Valve 1/8"	Brass
4	Support	Bronze
3	Diaphragm	NBR
2	Bonnet	Bronze
1	Body	Bronze
Pos.	Description	Material



### DIMENSIONS

DN		L	D	V
mm	inch	mm	mm	cm <sup>3</sup>
15	1/2"	74	46	17
20	3/4"	82	52	30
25	1"	95	62	63
40	1 1/2"	120	110	205
50	2"	162	135	650

### WORKING CONDITIONS

Maximum working temperature : 80°C  
Maximum working pressure : 10 bar

### STANDARDS

BSP threaded connection.

