

Ref. : VPN 3448-EZX4.pas

Rev. : C

Date : 04/11/2014

Page : 1/1

# BUTTERFLY VALVE WITH ELECTRIC ACTUATOR

## VPN 3448-EZX4



### APPLICATION

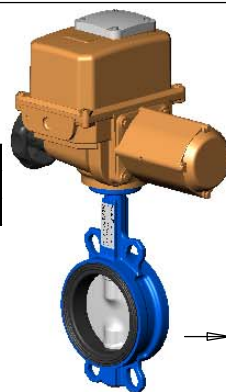
General use : water, air, acids etc...  
"Non suitable for steam application"

### CARACTERISTIQUES GENERALES

Design according with BS EN 593.  
Type with lugs, tightness in both ways.  
Sleeve in dovetail shape ensures a perfect assembling (for high vacuum we can stick it).  
High and low semi stem giving a high flow coefficient, machined disc on periphery giving a low and regular torque.  
Unejectable stem, dovetail type sleeve, mounting flange according to ISO 5211.

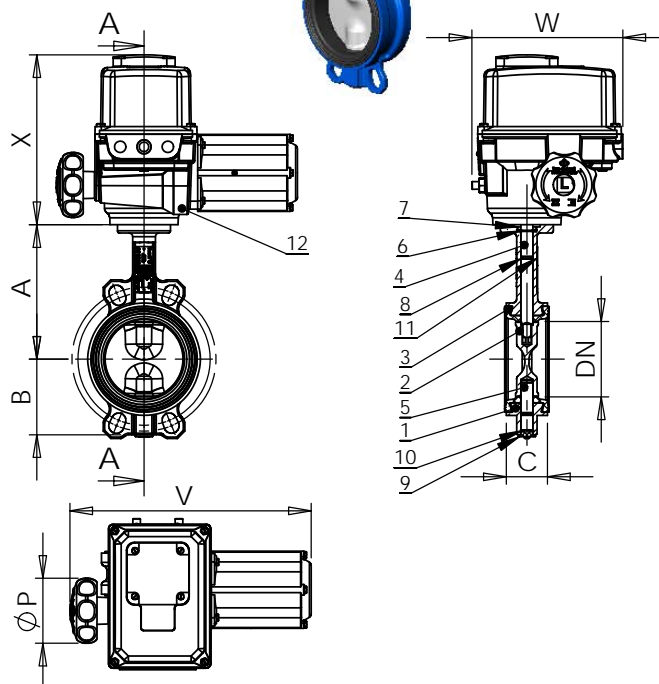
### PRODUCT REFERENCE

VPN 3448-EZX4	Electric actuator type
VPN 3448-EZ04	BERNARD 400V 3 PH
VPN 3448-EZ24	BERNARD 230V 1 PH



### CONSTRUCTION

12	1	Electric actuator	BERNARD	
11	1	Nameplate	Stainless steel 304	
10	2	Circlip	Steel	
9	1	Bottom cover	NBR	
8	2	O ring	EPDM	
7	1	Antidust ring	NBR	
6	1	Anti blowout ring	Stainless steel 420	DIN : 1.4021 ASTM : AISI 420 BS : 420 S 37
5	1	Upper stem	Stainless steel 420	DIN : 1.4021 ASTM : AISI 420 BS : 420 S 37
4	1	Lower stem	Stainless steel 420	DIN : 1.4021 ASTM : AISI 420 BS : 420 S 37
3	1	Sleeve	EPDM CH	In standard
2	1	Disc	Ductile iron EN-GJS-400-15	DIN: GGG 40 ASTM: A536 65-45-12 BS: 1563 EN-JS1030
1	1	Body	EN-GJL-250	DIN : GG25 ASTM : A48 class 40B BS : 1452 Grade 250



### DIMENSIONS

DN		A	B	C	Weight (valve + actuator) (kg)	
mm	inch				VPN 3448-EZ04	VPN 3448-EZ24
40**	1 1/2	134,0	58	34,0	8,4	7,4
50	2"	139,7	65	41,8	9,0	8,0
65	2 1/2	152,4	73	45,3	9,4	8,4
80	3"	158,8	85	45,3	10,0	9,0
100	4"	178,0	100	51,5	10,8	9,8
125	5"	190,5	115	54,5	13,0	13,0
150	6"	203,0	120	54,5	13,9	13,9
200	8"	238,0	160	59,6	19,1	19,1
250	10"	268,3	195	68,0	34,0	34,0
300	12"	306,4	230	78,0	48,8	48,8

\*\* Can be installed between DN32 flanges

### WORKING CONDITIONS

Maximum working pressure : 16 bar.  
Maximum working temperature : -15°C / +130°C.  
Peak temperature: -30°C / +150°C

Sleeve types in option	Maximum temperature	Peak temperature
EPDM	+ 4°C / + 110°C	- 20°C / +130°C
White EPDM	+ 4°C / + 110°C	- 20°C / +130°C
CSM (Type Hypalon®)	+ 4°C / +80°C	- 20°C / +110°C
FPM (Type Viton®)	- 10°C / +170°C	- 20°C / +200°C
Silicone	- 20°C / +170°C	- 40°C / +200°C
Nitril (NBR)	- 10°C / +80°C	- 20°C / +90°C

### ACTUATOR DIMENSIONS

DN	Product reference	Actuator reference	ØP	V	W	X	
DN 40-100	VPN 3448-EZ24	EZ4	230V 1PH 50Hz	90	273	200	225
	VPN 3448-EZ04	EZ6	400V 3PH 50Hz	90	319	225	225
DN 125-150	VPN 3448-EZ24	EZ10	230V 1PH 50Hz	90	319	200	225
	VPN 3448-EZ04	EZ10	400V 3PH 50Hz				
DN 200	VPN 3448-EZ24	EZ15	230V 1PH 50Hz	90	362	200	225
	VPN 3448-EZ04	EZ15	400V 3PH 50Hz				
DN 250	VPN 3448-EZ24	EZ25	230V 1PH 50Hz	160	459	313	180
	VPN 3448-EZ04	EZ25	400V 3PH 50Hz				
DN 300	VPN 3448-EZ24	EZ60	230V 1PH 50Hz	250	528	313	180
	VPN 3448-EZ04	EZ60	400V 3PH 50Hz				

Maximum differential pressure: 16 bar

### STANDARDS

Manufacture according to the requirements of the European directive 2014/68/UE «Equipment under pressure»: modulate H.  
Face to face according to standards NF EN 558-1 serie 20, ISO 5272 série 20, DIN 3202.  
Mounting between flanges PN 10 / PN 16: according to EN 1092-2, BS 450, ANSI B16.1-5.  
Adjustable between flanges ASME B16.5 Class 150 and JIS 10K.  
Pressure test according to standards EN 12266-1, DIN 3230, BS 6755 and ISO 5208 :  
Corps: 24 bar  
Siège: 17.6 bar

**TECOFI France** - 83, Rue Marcel Mérieux 69960 Corbas - France  
Tél. +33 (0)4 72 79 05 79 - Fax +33 (0)4 78 90 19 19 / +33 (0)4 72 79 05 79  
Adresses e-mail: sales@tecofi.fr; tecofi@tecofi.fr / site web: www.tecofi.fr