

Ref. : VP 4408-03.pas

Rev. : E

Date : 03/02/2015

Page : 1/1

# WAFER TYPE BUTTERFLY VALVE WITH DOUBLE ACTING PNEUMATIC ACTUATOR TECLARGE VP 4408-03



Tecofi'Φ

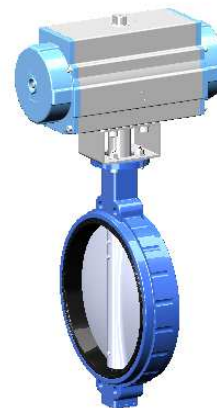
VALVE DESIGNER - FRANCE

## APPLICATION

General use : water, sludge, etc.

## GENERAL CHARACTERISTICS

Design in accordance with NF EN 593.  
Tightness in both ways, NF EN 12266-1, ISO 5208, DIN 3230.  
Sleeve internally reinforced in aluminium giving a low torque.  
Crossing stem.  
Self lubricant bearing in copper alloy.  
Supplementary tightness on stem by o'rings.  
Dovetail type sleeve.



## CONSTRUCTION

6	1	Pneumatic actuator		Double acting
5	1	Bottom cover	EN-GJL-250	DIN: GG25 ASTM: A48 class 40B BS: 1452 Grade 250
4	1	Stem	Stainless steel 410	DIN: 1.4006 ASTM: AISI 410 BS: 410 S 21
3	1	Sleeve	Heat EPDM	
2	1	Disc	EN-GJS-400-15	DIN: GGG 40 ASTM: A536 65-45-12 BS: EN-JS1030
1	1	Body	EN-GJS-400-15	DIN: GGG 40 ASTM: A536 65-45-12 BS: EN-JS1030
<b>Pos.</b>	<b>Qty.</b>	<b>Description</b>	<b>Material</b>	

## PRESSURE TEMPERATURE RATING

Maxi working pressure: 10 bar.  
Maxi temperature: -15°C / +130°C.  
Peak temperature: -30°C / +150°C.

## STANDARDS

Manufacture according to the requirements of the European directive 2014/68/UE «Equipments under pressure» : modulate H.  
Pressure test according to standards

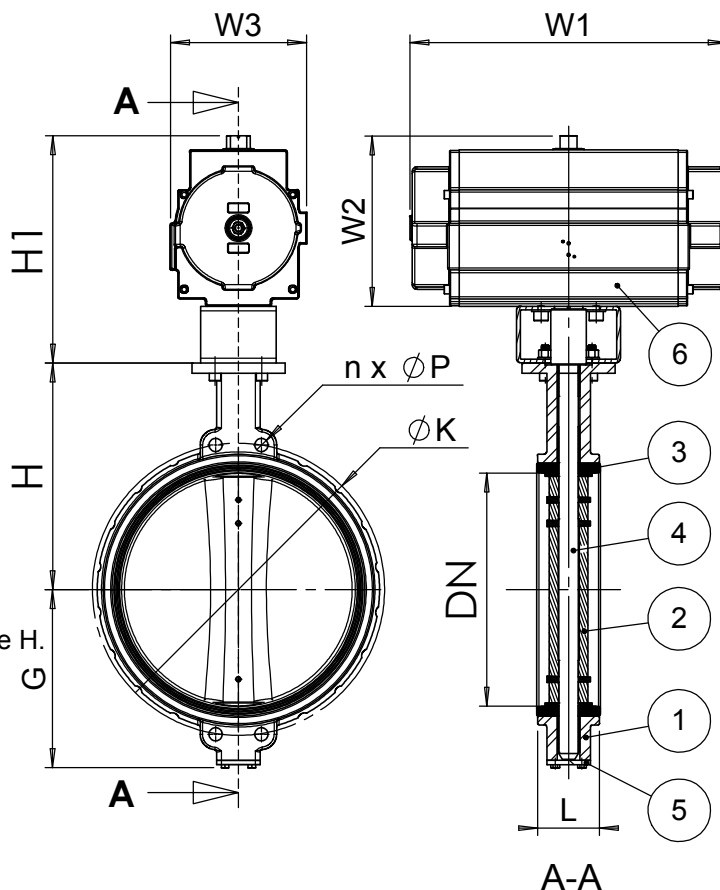
EN 12266-1, DIN 3230, BS 5154 and ISO 5208 :

Body : 15,5 bar.

Seat : 11 bar.

Face to face according to standard EN 558-1 serie 20, ISO 5752 serie 20 and DIN 3202.

Wafer type ISO PN10 connections according to standard EN 1092-2.



## DIMENSIONS

DN		Valve						Pneumatic actuator*			Weight (kg)	
mm	inch	L	G	H	H1	Ø K	n x Ø P	Type	W1	W2		W3
350	14"	75,6	268	353	298	460	4 x Ø22	DA 160	522	218	187	68
400	16"	97	321	383	359	515	4 x Ø28	DA200	575	269	218	96,5
450	18"	105	346	422	359	565	4 x Ø28	DA200	575	269	218	111,3
500	20"	128	371	484	481	620	4 x Ø28	DA270	672	361	290	174,9
600	24"	152	450	557	481	725	4 x Ø31	DA270	672	361	290	263,2

\* Data sheet is according to ΔP 10 bar maxi for air pressure of 6 bar .

**TECOFI France** - 83, Rue Marcel Mérieux 69960 Corbas - FRANCE  
Tél. +33 (0) 4 72 79 05 79 - Fax +33 (0) 4 78 90 19 19 / +33 (0) 4 72 79 05 70  
Adresses e-mail : sales@tecofi.fr ; tecofi@tecofi.fr / Site web : www.tecofi.fr