

Ref. : VOC 4241AM-U04

Rev. : A

Date: 11/06/2014

Page : 1/1

RESILIENT SEAT GATE VALVE WITH ELECTRIC ACTUATOR

VOC4241AM-U04



Tecofi
VALVE DESIGNER - FRANCE

APPLICATION

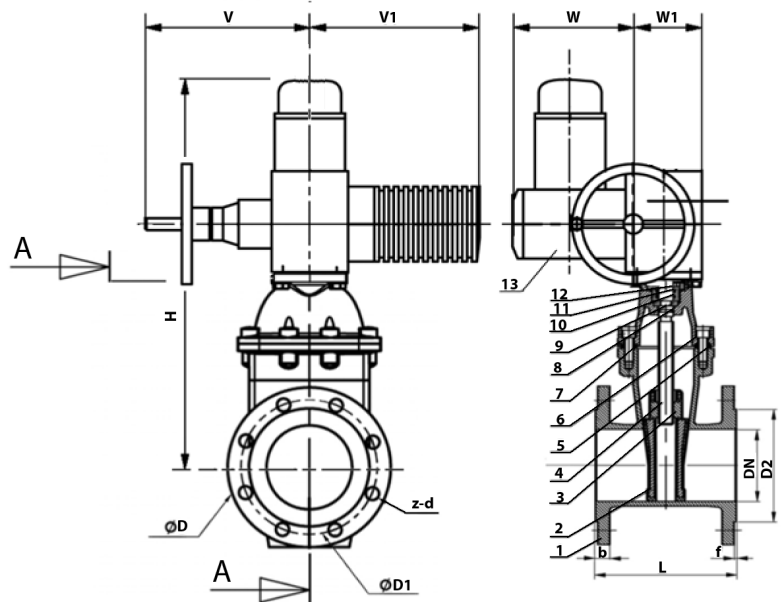
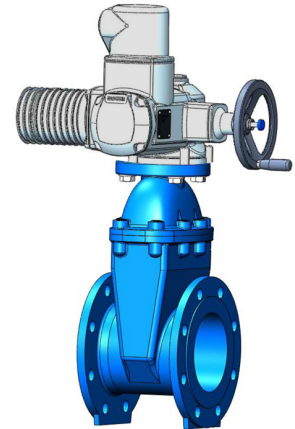
General use: water supply, fire protection, irrigation, water treatment.

GENERAL CHARACTERISTICS

Design conform to NF EN 1171.
Low head losses.
No retention zone.
Operated by electric actuator AUMA.

CONSTRUCTION

13	Electric actuator	AUMA
12	Minipad	PTFE
11	Bonnet nut	Brass
10	O-ring	EPDM
9	Locating ring	Brass
8	O-ring	EPDM
7	Bolt	Steel A3
6	Bonnet	Ductile iron GGG50
5	Gasket	EPDM
4	Stem	Stainless steel 2Cr13
3	Stem nut	Brass
2	Wedge	EPDM coated ductile iron GGG50
1	Body	Ductile iron GGG50
Pos.	Description	Material



DIMENSIONS

DN										Actuator dimensions				
mm	inch	ØD	ØD1	ØD2	L	H	b	f	Z - Ød	Ref.	V	V1	W	W1
50	2"	165	125	99	150	498	19	3	4 - Ø19	SA07.6	186	265	238	62
65	2"1/2	185	145	118	170	508	19	3	4 - Ø19	SA07.6	186	265	238	62
80	3"	200	160	132	180	535	19	3	8 - Ø19	SA10.2	191	283	248	65
100	4"	220	180	156	190	568	19	3	8 - Ø19	SA10.2	191	283	248	65
125	5"	250	210	184	200	620	19	3	8 - Ø19	SA10.2	191	283	248	65
150	6"	285	240	211	210	661	19	3	8 - Ø23	SA10.2	191	283	248	65
200	8"	340	295	266	230	787	20	3	12 - Ø23	SA14.2	242	389	286	91
250	10"	400	355	319	250	855	22	3	12 - Ø28	SA14.2	242	389	286	91
300	12"	455	410	370	270	944	25	4	12 - Ø28	SA14.2	242	389	286	91
350	14"	520	470	429	290	1053	27	4	16 - Ø28	SA14.6	242	389	286	91
400	16"	580	525	480	310	1127	28	4	16 - Ø31	SA14.6	242	389	286	91

WORKING CONDITIONS

Maximum working pressure : 16 bar
Working temperature : +80°C

STANDARDS

Face to face according to EN558-1 serie 14 and DIN 3202 / F4 short serie .
Flange connection according to EN 1092-2 ISO PN10/16

TECOFI France - 83, Rue Marcel Mérieux 69960 Corbas - FRANCE
Tél. +33 (0) 4 72 79 05 79 - Fax +33 (0) 4 78 90 19 19 / +33 (0) 4 72 79 05 70
Adresses e-mail : tecofi@tecofi.fr; sales@tecofi.fr / Site web: www.tecofi.fr