

Ref. : VOC4241AM-00ACS

Rev. : B

Date : 25/02/2015

Page : 1/1

RESILIENT SEAT GATE VALVE WITH MOUNTING PLATE FOR MOTORISATION

VOC 4241AM-00ACS



Tecofi
VALVE DESIGNER - FRANCE

APPLICATION

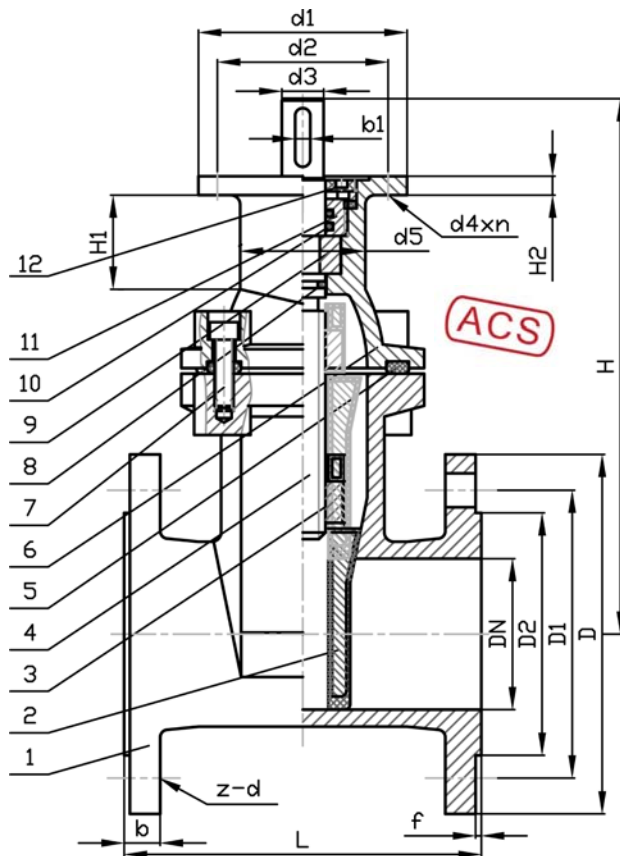
General use : drinking water distribution.

GENERAL CHARACTERISTICS

Range : from DN40 to DN400.
Non rising stem.
Clockwise to close.
No zone of retention.
Low head losses.
ISO mounting plate for adaptation
of all the type of electric actuator.

CONSTRUCTION

12	Dust ring	Nitril	
11	Bonnet nut	Brass	
10	O-Ring	Nitril	
9	Locating ring	Brass	
8	O-Ring	Nitril	
7	Bolt	Steel	A3
6	Bonnet	Ductile iron	DIN: GGG 50 ASTM: A536 65-45-12 BS: 1563 EN-JS1050
5	Gasket	Nitril	
4	Stem	Stainless steel	
3	Stem nut	Brass	
2	Wedge	EPDM coated ductile iron	DIN: GGG 50 ASTM: A536 65-45-12 BS: 1563 EN-JS1050
1	Body	Ductile iron	DIN: GGG 50 ASTM: A536 65-45-12 BS: 1563 EN-JS1050
Rep.	Description	Material	



DIMENSIONS

DN		L	H	ØD	ØD1	ØD2	f	b	Z-d	d1	d2	d3	d4xn	d5	b1	H1	H2	Nb of turns	Torque (Nm)	ISO	weight (kg)
mm	inch																				
40	1 1/2"	140	225	150	110	84	3	19	4 x Ø19	125	102	20	12x4	60	6	40	18	7	50	F10	11
50	2"	150	227	165	125	99	3	19	4 x Ø19	125	102	20	12x4	60	6	40	18	8	60	F10	12
65	2 1/2"	170	240	185	145	118	3	19	4 x Ø19	125	102	20	12x4	32	6	40	18	10	75	F10	15
80	3"	180	265	200	160	132	3	19	8 x Ø19	125	102	20	12x4	62	6	40	18	11	75	F10	18
100	4"	190	298	220	180	156	3	19	8 x Ø19	125	102	20	12x4	62	6	40	18	14	100	F10	23
125	5"	200	350	250	210	184	3	19	8 x Ø19	125	102	20	12x4	66	6	40	18	14	125	F10	36
150	6"	210	391	285	240	211	3	19	8 x Ø23	125	102	20	12x4	66	6	40	18	17	150	F10	44
200	8"	230	496	340	295	266	3	20	12 x Ø23	175	140	30	18x4	68	8	60	20	22	200	F14	68
250	10"	250	569	400	355	319	3	22	12 x Ø28	175	140	30	18x4	75	8	60	20	27	250	F14	96
300	12"	270	663	455	410	370	4	24,5	12 x Ø28	175	140	30	18x4	80	8	60	20	27	300	F14	140
350	14"	290	775	520	470	429	4	26,5	16 x Ø28	175	140	30	18x4	82	8	60	20	31	325	F14	170
400	16"	310	851	580	525	480	4	28	16 x Ø31	175	140	30	18x4	84	8	60	20	35	350	F14	222

WORKING CONDITIONS

Maximum working pressure : 16 bar.

Maximum working temperature: +80°C

STANDARDS

Face to face according to EN558-1 serie 14 and DIN 3202 / F4
Short pattern.
Connection according to standard EN 1092-2 ISO PN16.
Certificat of health conformity n° **11 ACC LY 453**

TECOFI France - 83, Rue Marcel Mérieux 69960 Corbas - FRANCE
Tél. +33 (0) 4 72 79 05 79 - Fax +33 (0) 4 78 90 19 19 / +33 (0) 4 72 79 05 70
Adresses e-mail : sales@tecofi.fr ; tecofi@tecofi.fr / Site web : www.tecofi.fr