

Ref. : V 4248.pas

Rev. : Initial

Date : 23/12/2014

Page : 1/1

# FLANGED PN16 GATE VALVE WITH RISING STEM

## V 4248



**Tecofi**  
VALVE DESIGNER - FRANCE

### APPLICATION

General use: For common fluids.

### GENERAL CHARACTERISTICS

Single wedge disc.  
Graphite packing.  
Rising stem.  
Stainless steel stem.  
Brass seat.  
Flanges R.F. ISO PN16.  
Painting RAL 7011 grey color, 90 µm thickness.

### CONSTRUCTION

17	Handwheel nut	Ductile iron GJS-500-7
16	Handwheel	Cast iron EN GJL-250
15	Washer	Brass
14	Stem nut	Brass
13	Screw	Steel RSt37-2 (1.0038)
12	Nut	Steel RSt37-2 (1.0038)
11	Packing gland	Ductile iron GJS-500-7
10	Packing	Graphite
9	Bonnet	Ductile iron GJS-500-7
8	Bonnet gasket	Graphite
7	Nut	Steel RSt37-2 (1.0038)
6	Screm	Steel RSt37-2 (1.0038)
5	Stem	Stainless steel 420
4	Wedge seat	Brass
3	Wedge	Ductile iron GJS-500-7
2	Body seat	Brass
1	Body	Ductile iron GJS-500-7
Pos.	Description	Material



### DIMENSIONS

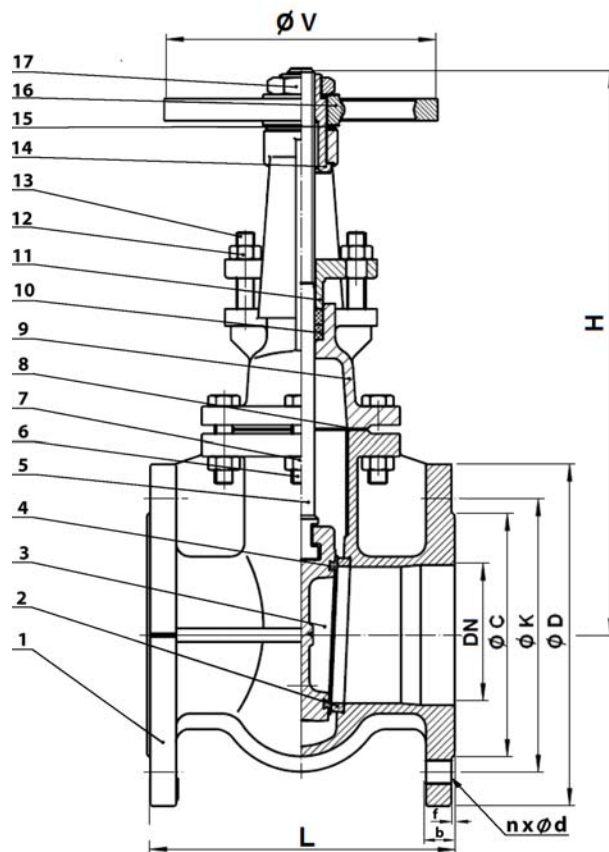
DN		L	H (closed)	H (opened)	Ø V	Ø C	Ø K	Ø D	nxØ d	f	b	weight (kg)
mm	inch											
40	1" 1/2	140	244	295	160	80	110	150	4x19	2	16	9.8
50	2"	150	254	315	160	102	125	165	4x19	2	16	11.9
65	2" 1/2	170	294	371	160	124	145	185	4x19	2	16	13.3
80	3"	180	331	424	160	140	160	200	8x19	2	17	17.2
100	4"	190	385	500	200	158	180	220	8x19	2	17	23.2
125	5"	200	457	598	200	188	210	250	8x19	3	18	34.2
150	6"	210	545	711	250	212	240	285	8x23	3	20	44.4
200	8"	230	683	901	250	268	295	340	12x23	3	21	67.5
250	10"	250	823	1093	320	20	355	405	12x28	3	23	110
300	12"	270	952	1273	320	378	410	460	12x28	4	24	155

### WORKING CONDITIONS

Maximum working pressure : 16 bar.  
Maximum working temperature : -10°C / +120°C.

test pressure according to EN 12266-1,  
DIN 3230, BS 6755 and ISO 5208 :

Body : 24 bar.  
Seat : 17,6 bar.



### AGREMENT ET NORMES

Face to face according to standards EN 558-1 serie 14 and DIN 3202/1 F4 short pattern.  
Flanges drilled according to standards EN 1092-2 and DIN 2501 : ISO PN 10/16 from DN40 to DN150 and PN16 over.  
Fabrication according to ISO 9001 : 2008  
DIRECTIVE 2014/68/UE  
Risk Category III module H  
Designing according to DIN 3352

**TECOFI France** - 83, Rue Marcel Mérieux 69960 Corbas - FRANCE  
Tél. +33 (0) 4 72 79 05 79 - Fax +33 (0) 4 78 90 19 19 / +33 (0) 4 72 79 05 70  
Adresses e-mail : sales@tecofi.fr ; tecofi@tecofi.fr / Site web : [www.tecofi.fr](http://www.tecofi.fr)