

Ref. : CC 3241.pas

Rev. : J

Date : 02/12/2019

Page : 1/1

FLANGED TYPE FOOT CHECK VALVE

CC 3241



APPLICATION

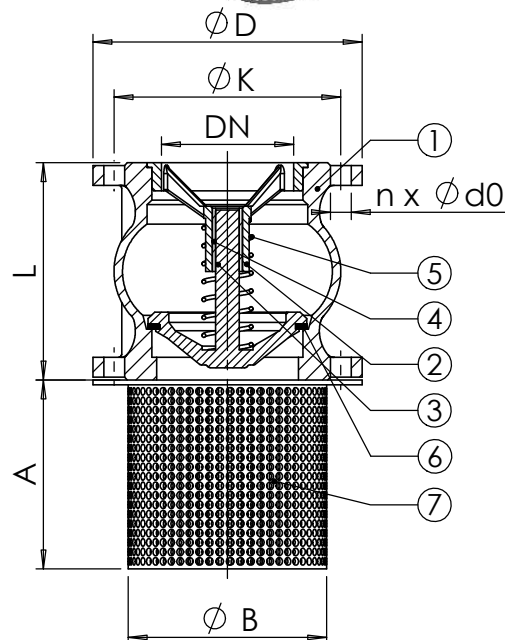
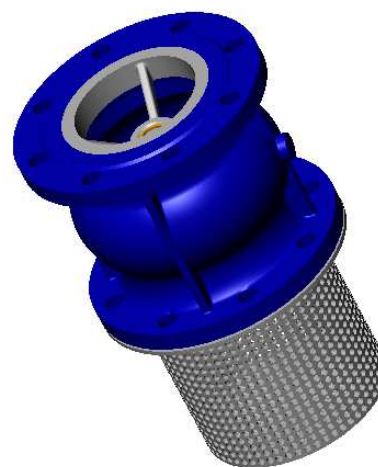
General uses : pumping, hydrocarbon, industry, clean water.
Vertical mounting required

GENERAL CHARACTERISTICS

From DN 50 to DN 150.
From DN 200 to DN300 on request.
Excellent tightness.
Low head loss.
Extremely reliable.
Excellent hydraulic result.
Simplicity in mounting and use.

CONSTRUCTION

7	1	Strainer	Galvanized steel	
6	1	Seat	NBR	
5	1	Spring	Stainless steel	
4	1	Guiding stem	CuZn40Pb2	
3	1	Disc	Ductile iron EN-GJS-400-15	DIN: GGG40 ASTM: A536 65-45-12 BS: 1563 EN-JS1030
2	1	Guide	Ductile iron EN-GJS-400-15	DIN: GGG40 ASTM: A536 65-45-12 BS: 1563 EN-JS1030
1	1	Body	Cast iron EN-GJL-250	DIN: GG25 ASTM: A48 class 40B BS: 1452 Grade 250
Pos.	Qty.	Description	Material	



DIMENSIONS

DN (mm)	50	65	80	100	125	150	200	250	300
L	100	120	140	170	200	230	300	370	410
A	80	100	120	150	175	200	250	300	350
Ø D	165	185	200	220	250	285	340	405	460
Ø B	111	131	148	168	198	222	278	329	384
Ø K	125	145	160	180	210	240	295	355	410
n x Ø d0	4 x 19	4 x 19	8 x 19	8 x 19	8 x 19	8 x 23	12 x 23	12 x 28	12 x 28
Weight (kg)	5,72	8,64	10,47	14,4	22,1	31,6	50,1	72	117

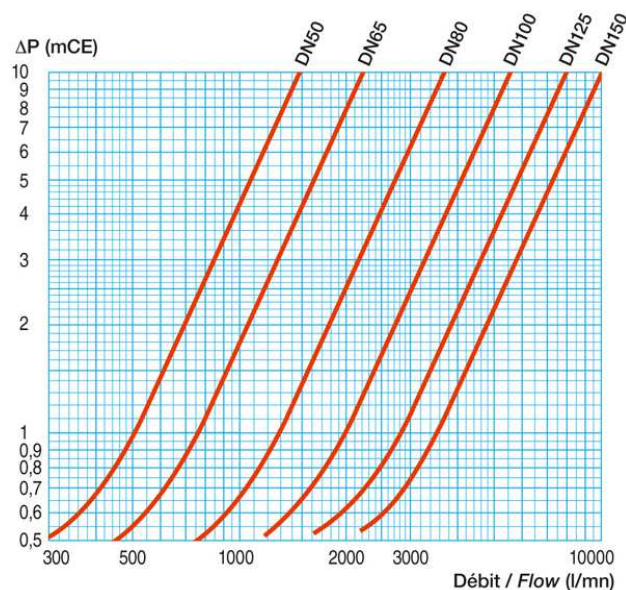
WORKING CONDITIONS

Maximum working pressure : 16 bar.
Maximum temperature : + 80°C.

Pressure test according to standards
EN 12266-1, DIN 3230, BS 6755 and ISO 5208 :
Body : 24 bar.
Seat : 17,6 bar.

STANDARDS

Flanged ISO PN 16, DIN 2501/1, UNI 2223/67 and
ASA 150 on request.



mCE : mètre colonne d'eau / meter water column

TECOFI France - 83, Rue Marcel Mérieux 69960 Corbas - FRANCE
Tél. +33 (0) 4 72 79 05 79 - Fax +33 (0) 4 78 90 19 19 / +33 (0) 4 72 79 05 70
Adresses e-mail : sales@tecofi.fr ; tecofi@tecofi.fr / Site web : www.tecofi.fr