

Ref. : CB 2143.pas

Rev. : J

Date : 20/09/2017

Page : 1/1

BSP THREADED TYPE SWING CHECK VALVE PN20

CB 2143

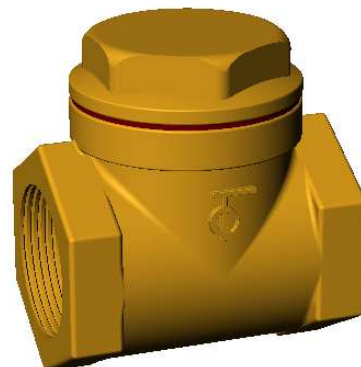


APPLICATION

General uses: distribution and water treatment, irrigation, pumping in general, etc.

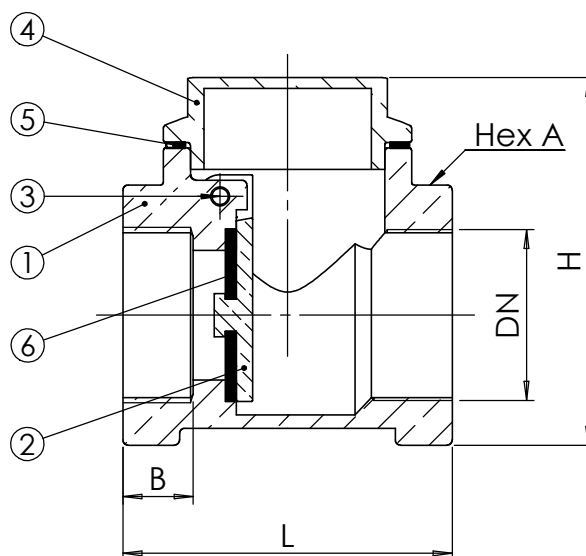
GENERAL CHARACTERISTICS

From DN 1/2" to DN 2".
Low head loss.
Simplicity and facility in use.
Low weight.
Extremely reliable, noiseless



CONSTRUCTION

6	1	Gasket	NBR	
5	1	Gasket	PTFE	
4	1	Cover	Bronze CuSn5Zn5Pb5-C	DIN: G-CuSn5PbZn (Rg 5) ASTM: B62 C83600 BS: 1400 LG2
3	1	Stem	Bronze CuSn5Zn5Pb5-C	DIN: G-CuSn5PbZn (Rg 5) ASTM: B62 C83600 BS: 1400 LG2
2	1	Disc	Bronze CuSn5Zn5Pb5-C	DIN: G-CuSn5PbZn (Rg 5) ASTM: B62 C83600 BS: 1400 LG2
1	1	Body	Bronze CuSn5Zn5Pb5-C	DIN: G-CuSn5PbZn (Rg 5) ASTM: B62 C83600 BS: 1400 LG2
Pos.	Qty.	Description	Material	



DIMENSIONS

DN		L	H	A	B	Weight (kg)
mm	inch					
15	1/2"	46	33	27	9,2	0,16
20	3/4"	57	37	32	10,0	0,23
25	1"	64	44	40	11,4	0,27
32	1 1/4"	73	50	48	11,5	0,55
40	1 1/2"	81,5	56	55	11,7	0,79
50	2"	96,5	64	66	13,2	1,13

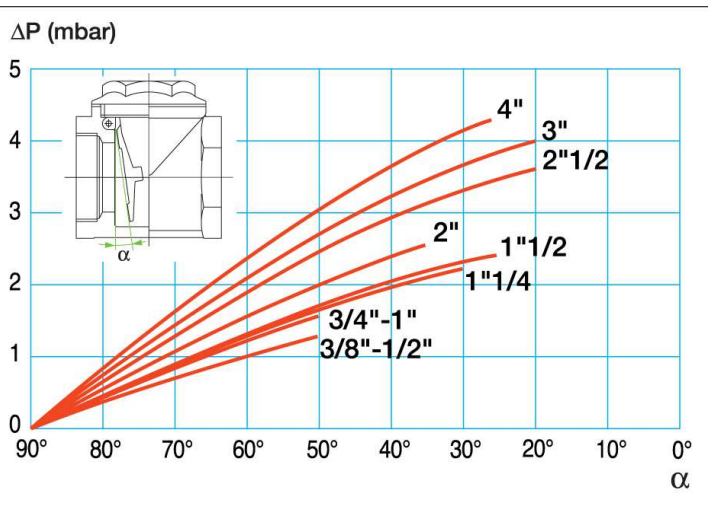
WORKING CONDITIONS

Maximum working pressure : 20 bar.
Maximum temperature : + 80°C.

Pressure test according to standards
EN 12266-1, DIN 3230, BS 5154 and ISO 5208 :
Body : 30 bar.
Seat: 22 bar.

STANDARDS

BSP threaded according to standard ISO 228-1.



TECOFI France - 83, Rue Marcel Mérieux 69960 Corbas - FRANCE
Tél. +33 (0) 4 72 79 05 79 - Fax +33 (0) 4 78 90 19 19 / +33 (0) 4 72 79 05 70
Adresses e-mail : sales@tecofi.fr ; tecofi@tecofi.fr / Site web : www.tecofi.fr